

RAM 35



Automation systems for swing gates



Simple and reliable arm operator may be installed on any type of swing gate.

For wing max 3 mt.

MOD. RAM 35

For wing max 5 mt.

MOD. RAM 35L

Harmonious and elegant it is made entirely in aluminium.

The robust reduction gear is carefully designed and thoroughly tested to ensure reliability and noiseless performance.

It is also equipped with simple and easily adjustable limit stops and a emergency release with personalised key.

ACCESSORIES

Photocells, radio-receiver unit, transmitter, control unit, flashing lamp, key selector, push-button, aerial, column for photocell.



ATLAS GROUP

Atlas Group
868 Plymouth Road
Slough Trading Estate
Slough
Berkshire SL1 4LP

Tel: 01753 696166

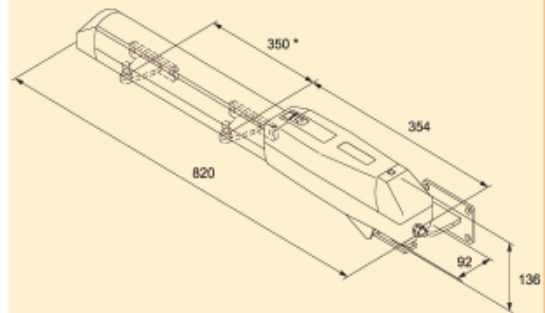
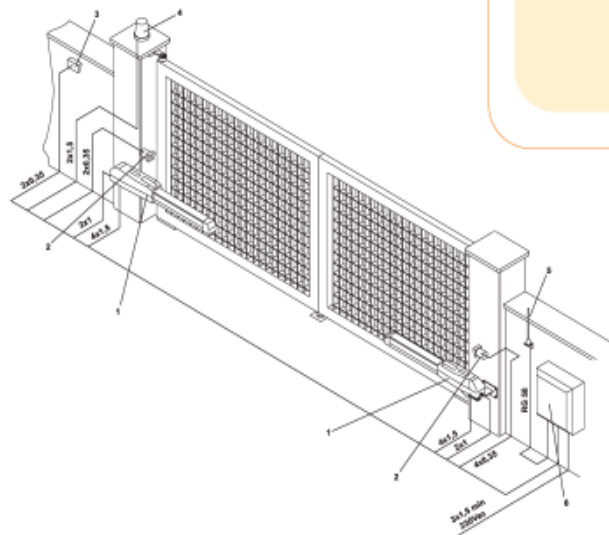
Fax: 01753 696916

Email: info@atlasgroup.co.uk

Web: www.atlasgroup.co.uk

RAM 35

Automation systems for swing gates



Technical Data	RAM 35	RAM 35/24	RAM 35L	RAM35/24L
Power supply	V A.C. 230	V D.C. 24	V A.C. 230	V D.C. 24
Motor power	W 310	W 120	W 310	W 120
Absorbed current	A 1,4	A 8	A 1,4	A 8
Thrust	N 2000	N 1500	N 2000	N 1500
Reduction ratio	0,041	0,041	0,041	0,041
Motor (rpm)	1400	-	900	-
Rod stroke	mm 350	mm 350	mm 500	mm 500
Max wing length	m 3	m 3	m 5	m 5
Lubrication	Grasso/Grease Molykote Longtern 2 plus			
Degree of protection	IP 54	IP 54	IP 54	IP 54
Insulation class	F	Y	F	Y
Operative temperature	-20°/+70°C	-20°/+70°C	-20°/+70°C	-20°/+70°C
Condenser	µF 9	-	µF 9	-
Dimensions	820x92xH136		970x92xH136	
Weight	Kg 10	Kg 10	Kg 11	Kg 10
90° opening time	16 sec	8÷13 sec	35 sec	13÷20 sec