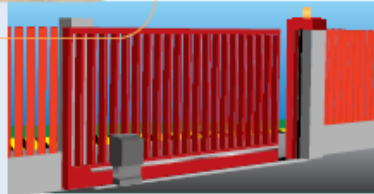
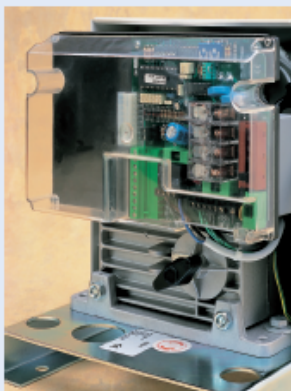


# GLISS



Automation systems  
for sliding gates



**Atlas Group**  
**868 Plymouth Road**  
**Slough Trading Estate**  
**Slough**  
**Berkshire SL1 4LP**

**Tel: 01753 696166**  
**Fax: 01753 696916**  
**Email: [info@atlasgroup.co.uk](mailto:info@atlasgroup.co.uk)**  
**Web: [www.atlasgroup.co.uk](http://www.atlasgroup.co.uk)**

## ELECTROMECHANICAL IRREVERSIBLE GEARMOTORS

- automation systems equipped with control unit
- no maintenance required
- built-in safety release handle
- easy installation
- may be equipped with radio-receiver unit and safety devices

## INDUSTRIAL USE: INTENSIVE AND CONTINUOUS SERVICE

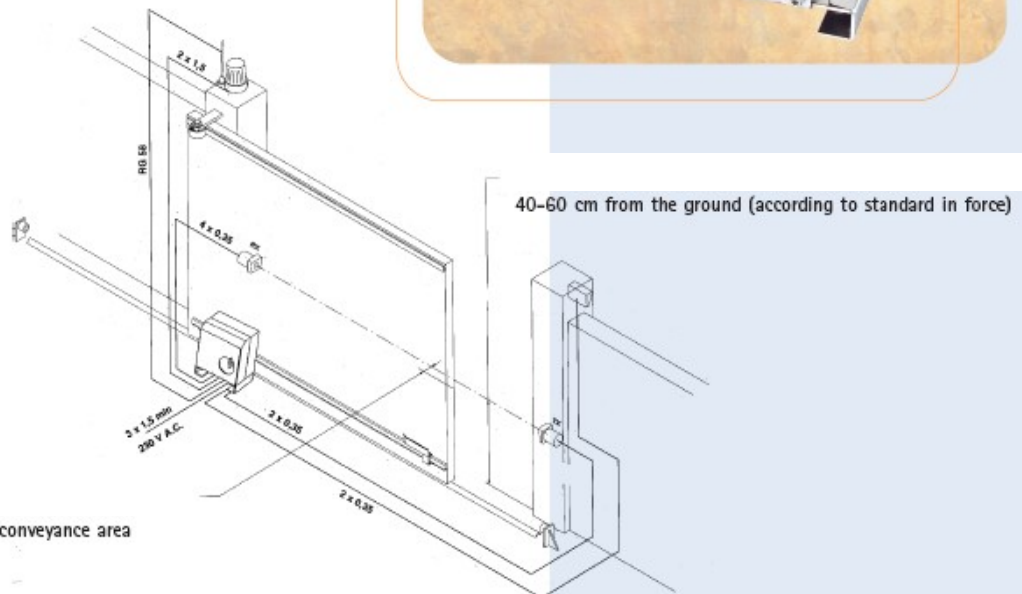
- GLISS 1500
- GLISS 2000

## ACCESSORIES:

Rack, photocells, mechanical safety, radio-receiver unit, transmitter, flashing lamp, key selector, push-button, aerial, column for photocell

# GLISS

## Automation systems for sliding gates



Max 10 cm from the conveyance area

Technical Data	GLISS 600	GLISS 1000	GLISS 1300	GLISS 1500	GLISS 2000
Power supply	V A.C. 230	V A.C. 230	V A.C. 230	V A.C. 400	V A.C. 400
Motor power	W 280	W 500	W 500	W 500	W 750
Absorbed current	A 1,6	A 2,5	A 2,5	A 1,4	A 2,5
Torque	Nm 20	Nm 55	Nm 55	Nm 55	Nm 80
Thrust	N 550	-	N 1500	N 1500	N 2000
Reduction ratio	0,042	0,034	0,034	0,034	0,034
Degree of protection	IP 54	IP 54	IP 54	IP 54	IP 54
Class of insulation	F	F	F	F	F
Interv. of overload protec.	130 °C	130 °C	130 °C	-	-
Operative temperature	-20°C/+70°C	-20°C/+70°C	-20°C/+70°C	-20°C/+70°C	-20°C/+70°C
Capacity	Kg 600	Kg 1000	Kg 1300	Kg 1500	Kg 2000
Opening speed	m/min 8,5	m/min 10,5	m/min 10,5	m/min 10,5	m/min 10,5
Condenser	µF 16	µF 25	µF 25	-	-
Lubrication	AGIP GR MU EP/2		Olio AGIP Blasias 100		
Weight	Kg 13	Kg 22	Kg 26	Kg 26	Kg 28
Dimensions	mm 210x230xH280		mm 190x315xH340		
Max. height for fixing the rack	mm 130	mm 130	mm 130	mm 130	mm 130
Control unit	incorporata	incorporata	DAC15	DAC15	DA.C15

### Operating limits

#### GLISS 600

Residential

#### GLISS 1000

Residential

#### GLISS 1300

Intensive

#### GLISS 1500

Continuous

#### GLISS 2000

Continuous