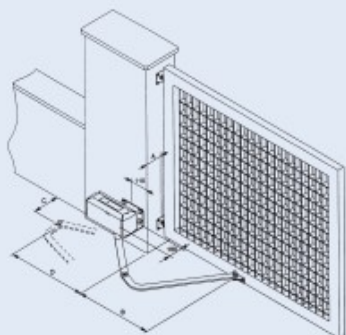


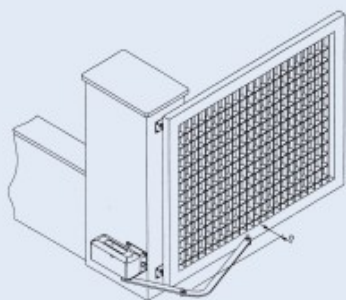
# B45/E



## Automation systems for swing gates



Assembly drawing with max. misalignment (300 mm)



Possibility opening towards outdoors

This automatism has been designed for automation of doors, the dimensions of which do not allow to use traditional actuators.

It is equipped with an articulated arm and with a limit switch, (B45/E). The operations are smooth and noiseless. It is easy to be assembled and, thanks to its pleasant design, it meets the most demanding needs.

It is available in the 230 V A.C. type, in the 24 V D.C. type, or in the 230 V A.C. reversible.

### ACCESSORIES

Photocells, radio-receiver unit, transmitter, control unit, flashing lamp, key selector, push-button, aerial, column for photocell



**Atlas Group**  
**868 Plymouth Road**  
**Slough Trading Estate**  
**Slough**  
**Berkshire SL1 4LP**  
**Tel: 01753 696166**  
**Fax: 01753 696916**  
**Email:**  
**info@atlasgroup.co.uk**  
**Web:**  
**www.atlasgroup.co.uk**

Technical Data	B45/E
Power supply	V A.C. 230
Motor power	W 170
Absorbed current	A 0,85
Torque	Nm 300
Reduction ratio	0,0013
Degree of protection	IP 54
Insulation class	F
Max wing weight	Kg 300
Max wing length	m 3
Condenser	$\mu$ F 9
Lubrication	Grasso/Grease
Motor (rpm)	1400
90° opening time	18 sec.
Weight	Kg 13